

WMM7037ABTS0

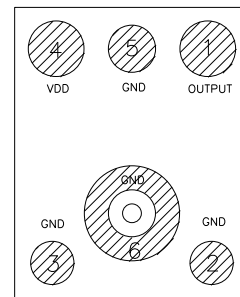
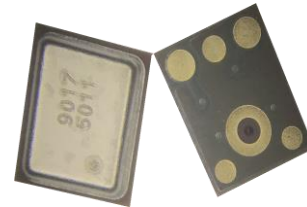
Top port analog silicon Microphone

[Http://www.willsemi.com](http://www.willsemi.com)

Descriptions

The WMM7037ABTS0 is a miniature, high performance, low power, bottom port silicon microphone. The WMM7037ABTS0 consists of an acoustic sensor, a low noise input buffer, and an output amplifier. These devices are suitable for portable electronic devices where excellent wideband audio performance and RF immunity are required applications.

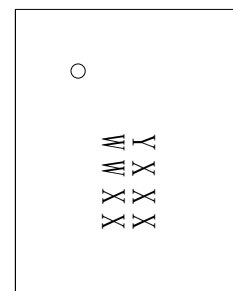
The WMM7037ABTS0 is manufactured in a compact 3.76mm*3.00mm*1.10mm, 6-pin LGA package.



Pin configuration (Bottom view)

Features

- Matched Sensitivity
- Low current
- Small package
- MaxRF protection
- Ultra-Stable Performance
- Standard SMD Reflow
- Omnidirectional



Marking (Top view)

Y = Year code

WW = Week code

XX = Data code

Applications

- Cellphones
- Smart phones
- Laptop computers
- Smart speakers
- Digital still cameras
- Portable music recorders

Order information

Device	Package	Shipping
WMM7037ABTS0-6/TR	LGA 3.76*3.00*	



Absolute maximum ratings

Parameter	Absolute Maximum Rating	Units
Supply voltage	4.2	V
Operation temperature range	-40~85	°C
Storage temperature range	-40 to +100	°C

Stresses exceeding these “Absolute Maximum Ratings” may cause permanent damage to the device. These are stress ratings only. Functional operation at these or any other conditions beyond those indicated under “Acoustic & Electrical Specifications” is not implied. Exposure beyond those indicated under “Acoustic & Electrical Specifications” for extended periods may affect device reliability.

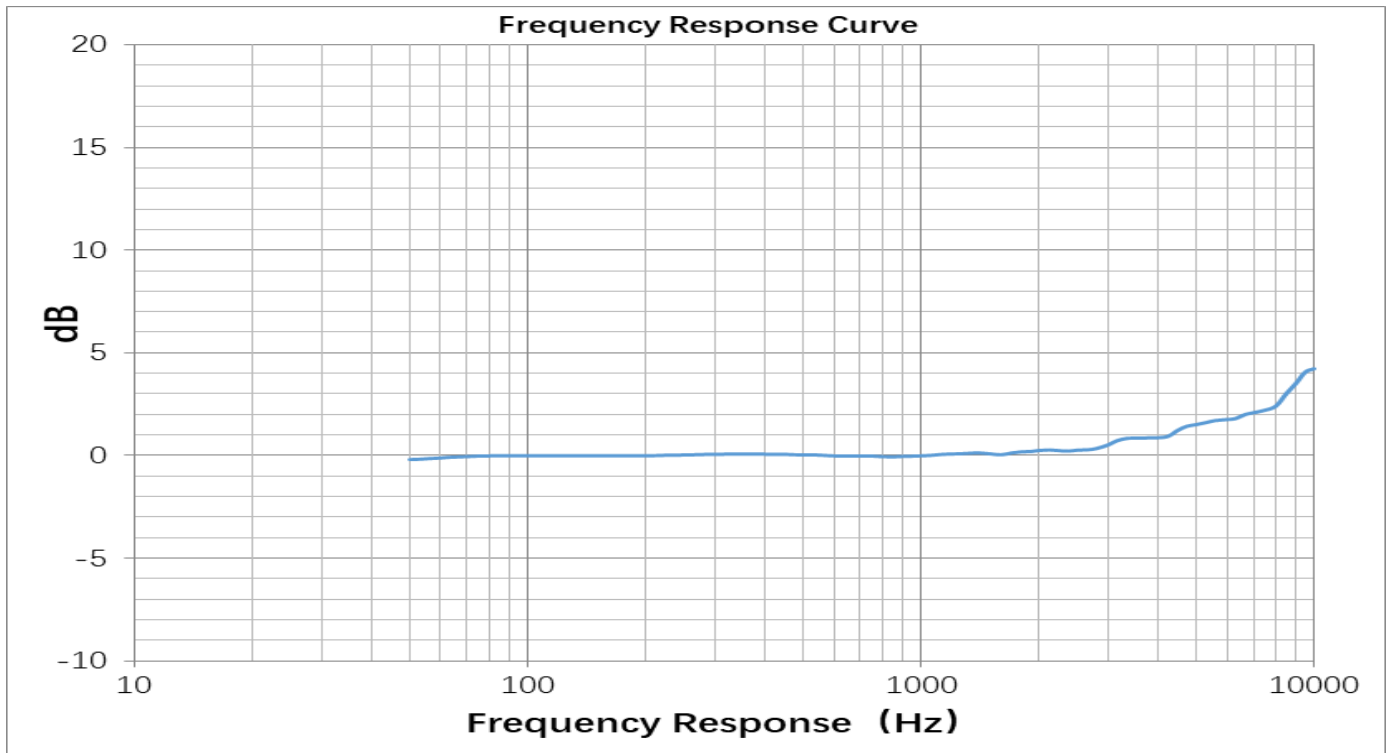
Acoustic & Electrical Specifications

Test condition: +25±2°C, 60%~70%RH, 86~106Kpa, Vdd=2V, no load, unless otherwise specified

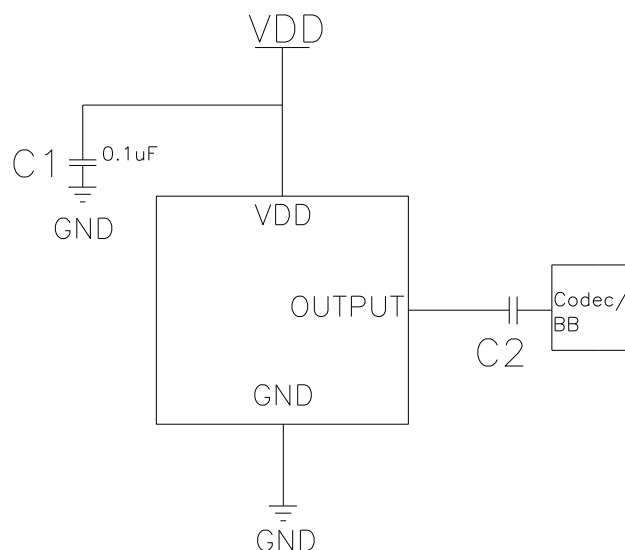
Parameter	Symbol	Conditions	Min	Typ	Max	Units
Supply Voltage	VDD		1.6	-	3.6	V
Supply Current	IDD		-	135	200	uA
Sensitivity	S	94dB SPL @1KHz	-39	-38	-37	dBv
Signal to Noise Ratio	SNR	94dB SPL @1KHz, A-weighted	-	63	-	dB(A)
Total Harmonic Distortion	THD	94dB SPL @1KHz, S=Typ	-	0.15	-	%
Acoustic Overload Point	AOP	10%THD @1KHz	-	128	-	dB SPL
Power Supply Rejection	PSR	100mVpp 7/8 duty cycle rectangular wave @217Hz, A-weight, 20KHz BW	-	-102	-	dBv
Power Supply Rejection Ratio	PSRR	200 mVpp sinewave @ 1 kHz	-	71	-	dB
DC Output		-	-	0.85	-	V
Output impedance	ZOUT	@1KH	-	-	400	Ω
Directivity			Omnidirectional			



Frequency Response Curve



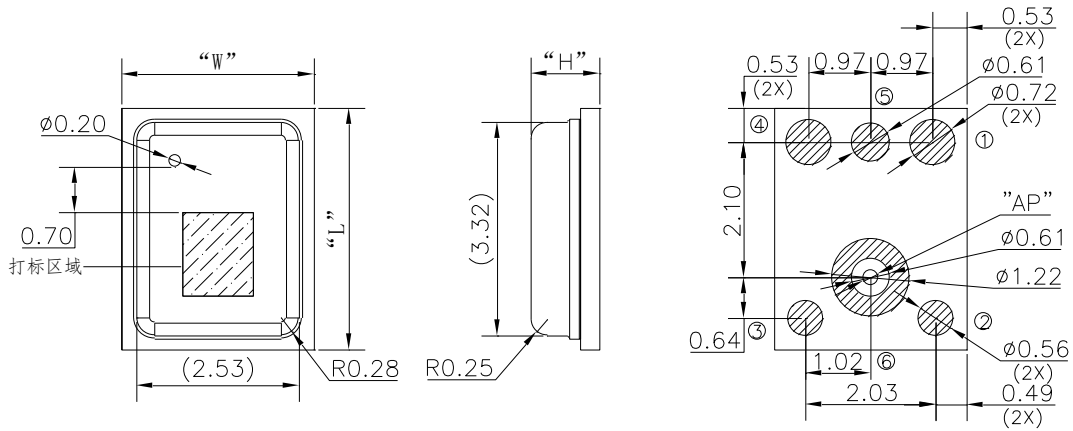
Application Information



Note:

- All GND pins must be connected to ground.
- Capacitors near the microphone should not contain Class 2 dielectrics.

Mechanical Specification



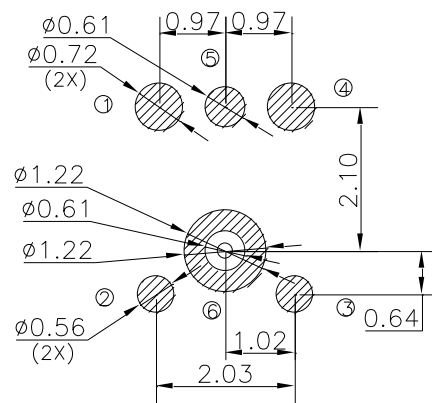
Item	Dimension	Tolerance
Length(L)	3.76	± 0.10
Width(W)	3.00	± 0.10
Height(H)	1.10	± 0.10
Acoustic Port (AP)	$\phi 0.25$	± 0.08

Pin#	Pin Name	Description
1	OUTPUT	Output Signal
2	GND	GND
3	GND	GND
4	VDD	Power Supply
5	GND	GND
6	GND	GND

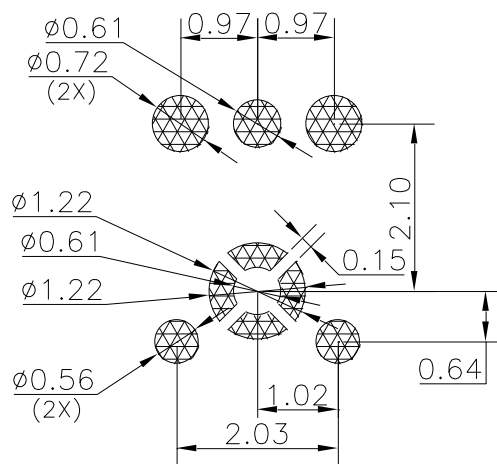
Notes:

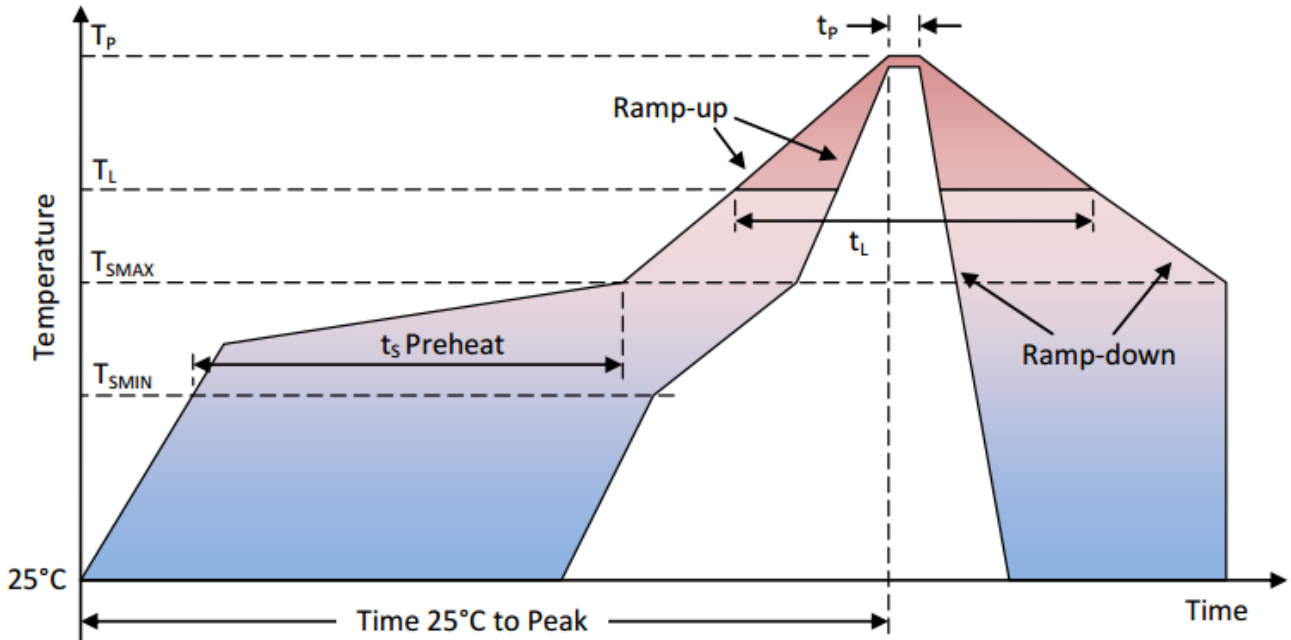
- Dimensions are in millimeters unless otherwise specified.
- Tolerance is $\pm 0.10\text{mm}$ unless otherwise specified.

Example Land Pattern



Example Solder Stencil Pattern



Referenced Reflow Profile


Profile Feature	Pb-Free
Average Ramp-up rate (T_{SMAX} to T_P)	3°C/second max.
Preheat <ul style="list-style-type: none"> • Temperature Min (T_{SMIN}) • Temperature Max (T_{SMAX}) • Time (T_{SMIN} to T_{SMAX}) (t_s) 	150°C 200°C 60-180 seconds
Time maintained above: <ul style="list-style-type: none"> • Temperature (T_L) • Time (t_L) 	217°C 60-150 seconds
Peak Temperature (T_P)	260°C
Time within 5°C of actual Peak Temperature (t_p)	20-40 seconds
Ramp-down rate (T_P to T_{SMAX})	6°C/second max
Time 25°C to Peak Temperature	8 minutes max

Note:

All temperatures refer to topside of the package, measured on the package body surface.

Additional Notes

(A) Maximum of 3 reflow cycles is recommended.

(B) In order to minimize device damage:

- Do not board wash or clean after the reflow process.
- Do not brush board with or without solvents after the reflow process.
- Do not directly expose to ultrasonic processing, welding, or cleaning.
- Do not insert any object in port hole of device at any time.
- Do not apply over 30 psi of air pressure into the port hole.
- Do not pull a vacuum over port hole of the microphone.
- Do not apply a vacuum when repacking into sealed bags at a rate faster than 0.5 atm/sec.

Materials Statement

Meets the requirements of the European RoHS and Halogen-Free.

Reliability Specifications

Test	Description
Thermal Shock	100 cycles air-to-air thermal shock from -40°C to +125°C with 15 minute soaks.
High Temperature Storage	1000 hours at +105°C environment
Low Temperature Storage	1000 hours at -40°C environment
High Temperature Bias	1000 hours at +105°C under bias.
Low Temperature Bias	1000 hours at -40°C under bias.
Temperature / Humidity Bias	1000 hours at +85°C /85% R.H.
Vibration	4 cycles of 20 to 2,000 Hz sinusoidal sweep with 20g peak acceleration lasting 12 minutes in X, Y, and Z directions.
ESD-HBM	3 discharges of ±2 kV direct contact to I/O pins.
ESD-LID/GND	3 discharges of ±8 kV direct contact to lid while unit is grounded.
ESD-MM	3 discharges of ±200V direct contact to I/O pins.
Reflow	5 reflow cycles with peak temperature of +260°C
Mechanical Shock	3 pulses of 10,000g in the X, Y, and Z direction
Drop Test	To be no interference in operation after dropped to marble or 1.0cm steel plate 18 times from 1.5 meter height.

Note:

After reliability tests are performed, the sensitivity of the microphones shall not deviate more than 2dB from its initial value.

