

Data Sheet

- ITEM : COMMON MODE FILTER
- PART NO : ICMF112P500MFR

购买原装正品请认准-德方电子
免费服务热线: 400-655-8700
深圳总部电话: 0755-28187877
网址: www.denovocn.com

ITEM	P/N	Page
Common Mode Filter	ICMF112P500MFR	2

1. GENERALS

- This specification covers the engineering requirements for the ICMF112P500M (Common Mode Filter)

2. FEATURES

- Effective for suppressing common mode noise and almost no effect for high speed differential data line
- Ultra low profile (1.2 x 1.0 x 0.6mm)
- Ceramic multilayer type SMD component
- Non-polarized product
- It is a product conforming to RoHS directive.

3. APPLICATIONS

- LVDS lines in notebook computers
- USB3.0, IEEE1394, DVI, HDMI lines in PDP, LCD TV, DVD Player, PC, Audio player, DSC
- MDDI, MIPI in mobile phone

4. PRODUCT SPECIFICATIONS

4. 1 PART NUMBER CODE

ICMF 11 2P 500 M
 ① ② ③ ④ ⑤

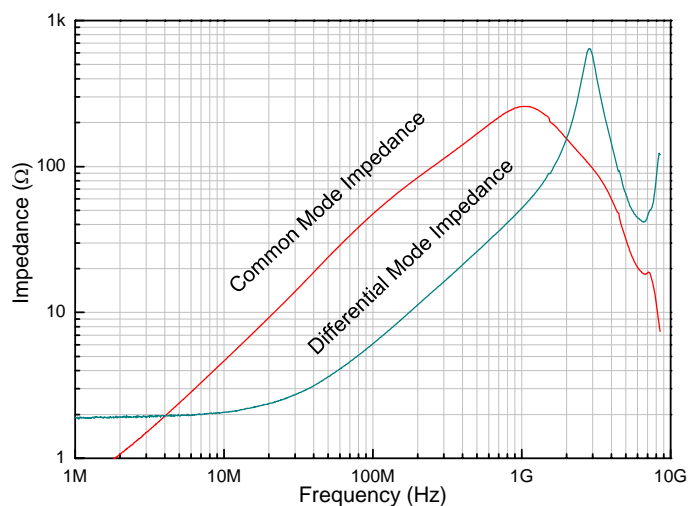
- ① Series name of ICT's Common Mode Filter
- ② Dimensions, 1.25mm (L) x 1.0mm (W)
- ③ The Number of lines, 2P = 2 lines
- ④ Common Mode Impedance (at 100MHz), 500= 50Ω
- ⑤ Tolerance of common mode impedance, M= ±25%

购买原装正品请认准-德方电子
 免费服务热线: 400-655-8700
 深圳总部电话: 0755-28187877
 网址: www.denovcn.com

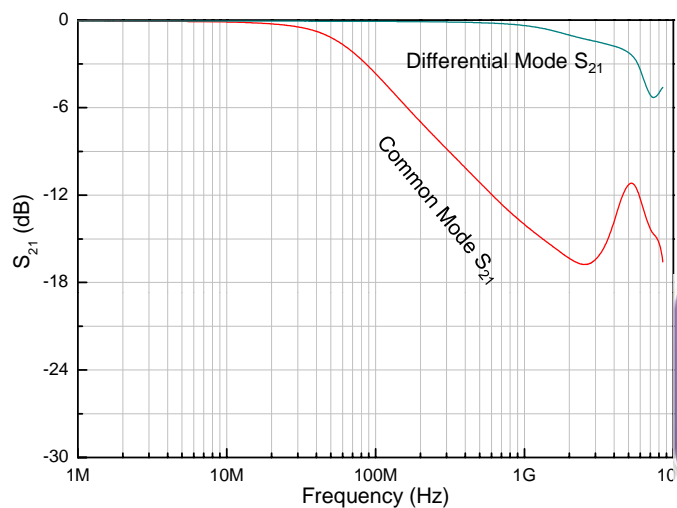
4. 2 SPECIFICATION OF ELECTRICAL CHARACTERISTICS

Characteristics	Common Mode Impedance	Resistance	Insulation Resistance	Rated Current
symbol	Z_{CM}	R_{DC}	IR_{CR}	I_R
Units	Ω	Ω	M Ω	mA
Test Condition	@100MHz	25°C±2°C	10V	25°C±2°C
Value	50(±25%)	Max 4.0	Max 10	Max 100

- Impedance Curves



- Transmission characteristics (S-parameter)



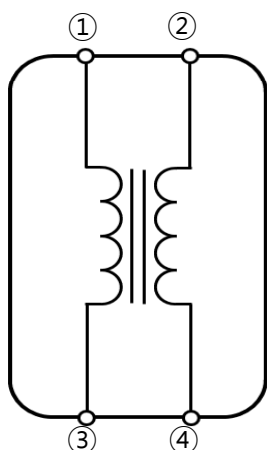
购买原装正品请认准-德方电子
 免费服务热线: 400-655-8700
 深圳总部电话: 0755-28187877
 网址: www.denovocn.com

ITEM	P/N	Page
Common Mode Filter	ICMF112P500MFR	4

4. 3 OPERATING TEMPERATURE

DESCRIPTION	REQUIREMENTS
Operating Temperature	-40°C ~ + 85°C

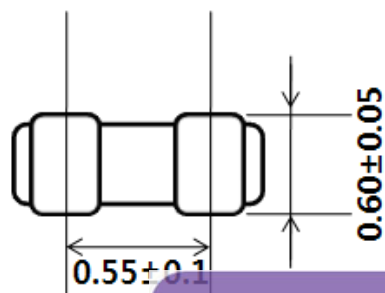
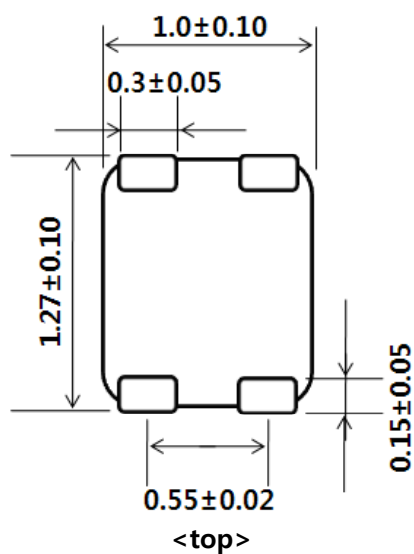
5. EQUIVALENT CIRCUIT



PIN NUMBER	DESCRIPTION
①~④	DATA LINE

6. MECHANICAL PROPERTY

6. 1 Appearance and Dimension



购买原装正品请认准-德方电子
 免费服务热线: 400-655-8700
 深圳总部电话: 0755-28187877
 网址: www.denovocn.com

Unit : mm